

KK30 ENGINE DRIVED AIR CONDITIONER

Kingclima is specialist in truck air conditioner solutions, besides the battery powered series parking ac solutions, we also provide the vehicle engine driven cooling solutions, especially designed for the construction machinery cabs.

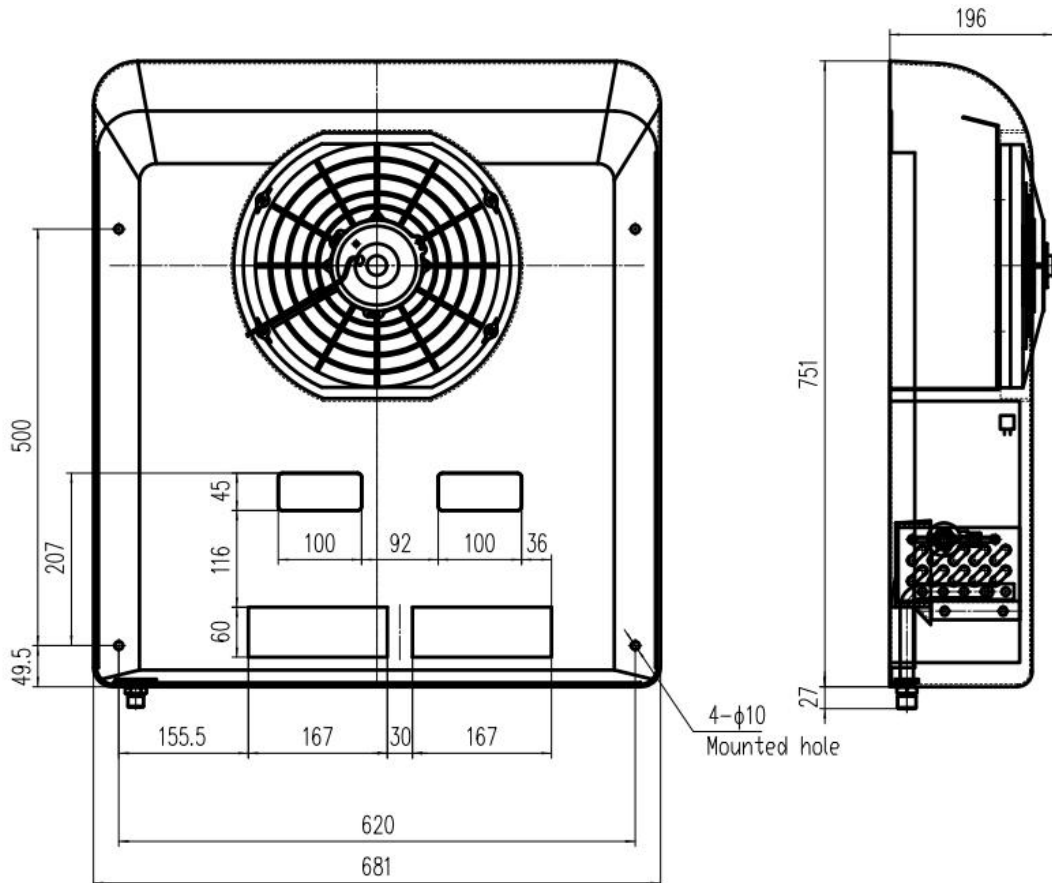
This series of ac units have the advantages of anti-vibration and anti-dust, which are very suitable for the severe outdoor conditions , fast cooling speed and 3000W large cooling capacity, perfectly solve the high temperature place cooling problems.



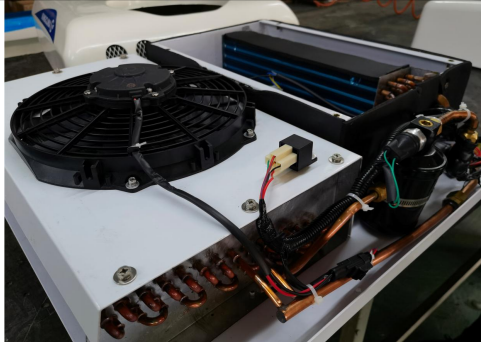
Features of KK-30 Construction Machinery Cabs AC Units

- 3000W cooling capacity, integrated roof top mounted, vehicle engine direct driven, fuel saving compared with other brands in same specification.
- Anti-vibration, can be suitable for the severe environment.
- Reliable, comfortable and customized.
- Large cooling capacity, fast cooling speed, comfortable in minutes.
- Distributors are around all over the world to give completed after sales service.
- Professional and friendly service with 7*24h online help.



KK30 Dimension

Technical Data

Model		KK-30
Cooling Capacity		3000W / 10300BTU / 2600kcal/h
Voltage		DC12V/24V
Driven Type		Vehicle Engine Driven
Condenser	Type	Copper Pipe and Aluminum Foil Fin
	Fan Qty	1pcs
	Air Flow Volume	600m ³ /h
Evaporator	Type	Copper Pipe and Aluminum Foil Fin
	Blower Qty	1
	Air Flow Volume	750m ³ /h
Evaporator Blower		Double Axle and Centrifugal Flow
Condenser Fan		Axial Flow

Compressor	KC 5H14, 138cc/r
Refrigerant	R134a, 0.8KG
Mounting Type	Integrated and roof top mounted
Dimensions (mm)	750*680*196mm
Application Vehicles	Truck cabins, Engineering vehicles, construction machinery and agricultural vehicles.
Inside Photos	

Package Including



Condenser



Evaporator



Controller



Compressor



Hoses

Installation Photos

