

DC POWERED 12/24V AIR CONDITIONER FOR ALL TRUCK CABINS,RV

E-Clima 4000



Size : Length * Width * Height

Side View



Control Panel



Features

- ◆ Use environmentally friendly R134a refrigerant;
- ◆ Remote control, combined with manual;
- ◆ Optional electric heating function; adjustable heating power;
- ◆ One-piece unit; rooftop mounted or back wall mounted;
- ◆ Heat pump , high efficiency and light weight;
- ◆ Compressor: driven by brush-less DC motor, with adjustable rotate speed;
- ◆ Brush-less evaporator blower and condenser fan, long lifetime, lower power consumption;
- ◆ Special for Ford, Renault, IVECO etc vans; RV, tractor, construction machinery and truck cabs etc.

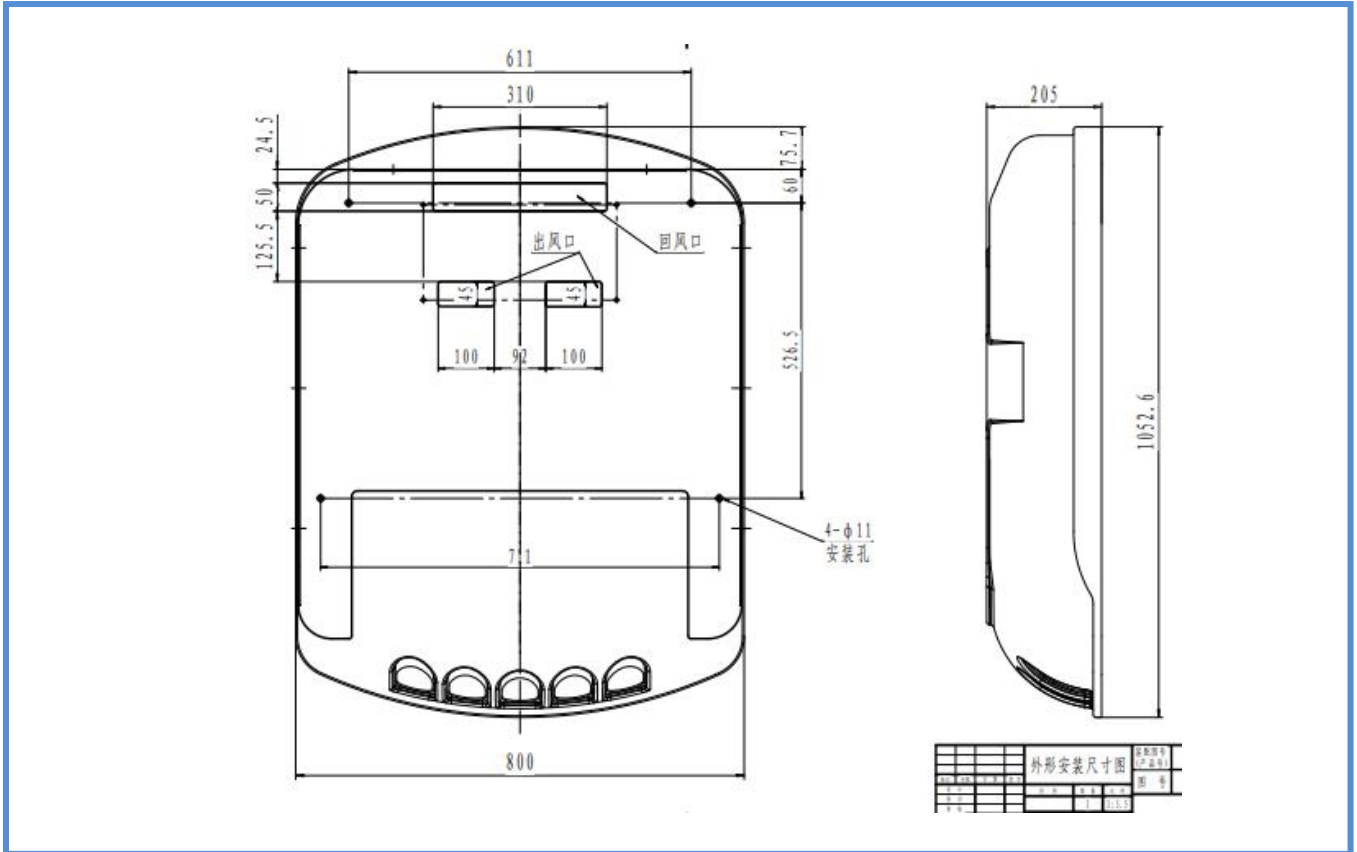
Technical Data

Model		Eclima-4000
Cooling Capacity		4000W/13800BTU
Driven Mode		Battery Driven Unit
Installing Type		Mono-Block & Rooftop Mounted
Compressor Voltage		DC12V/24V/48V/60V/72V etc.
Total Current Rating		≤85A (DC12V) 45A ~ 55A(DC24V)
Evaporator Blower Air Volume		650m3/h
Condenser Fan Air Volume		1700m3/h
Compressor		18cc/r or 27cc/r
Dimensions (mm)	Evaporator	1055×800×206
	Condenser	
Refrigerant		R134a, 1kg
Suitable vehicles		All truck cabins, construction machinery and electric vehicles
Optional Parts & Function		Wireless Controller& Heating Function

* Specification are subject to change without priority notice.

* For specific model performance data, capacities, and other technical information, contact KINGCLIMA service man or * Your local factory representative.

Outlook Sketch



Installation

