

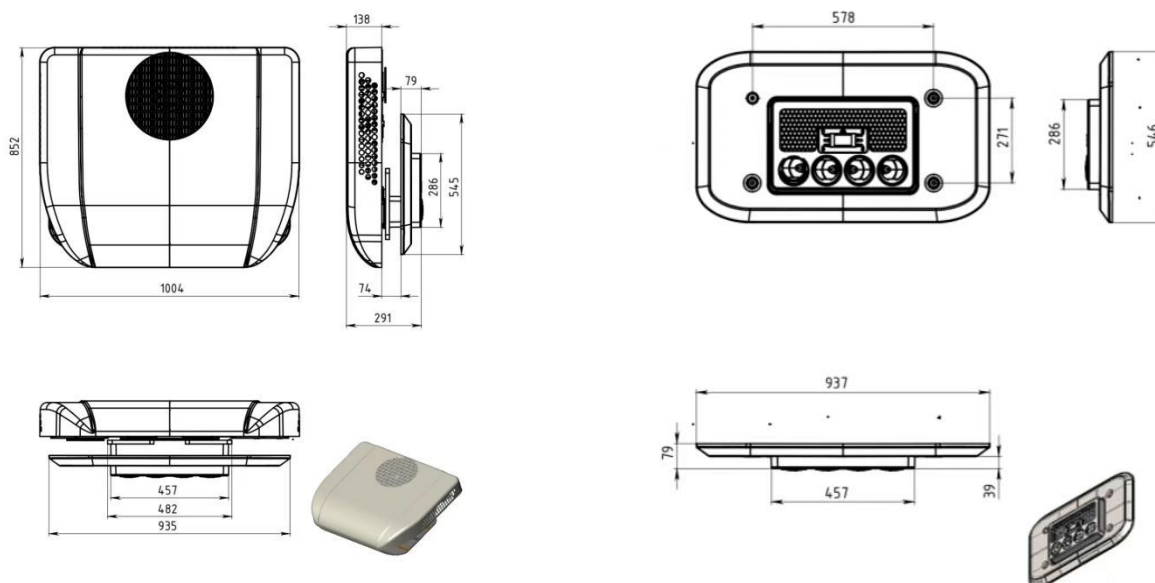


**DC POWERED SUNROOF
AIR CONDITIONER
FOR TRUCKS**

EA-28R DC Powered Rooftop Sunroof Air Conditioner for Trucks

Introduction

- ◆ Runs on 12V or 24V DC battery, without the need for the vehicle to be running.
- ◆ Simple and quick installation
- ◆ EXTRA-SLIM design, rooftop mounted
- ◆ High Cooling Capacity
- ◆ Great air circulation from engineered designed ducting.
- ◆ Digital and remote controller for comfort.
- ◆ Low current consumption;
- ◆ long working hours after truck engine is off
- ◆ Environmental friendly with less truck emission



Technical Data

Model	EA-28R Parking Cooler	
Voltage	DC12V/24V	
Cooling capacity	2800W/9520BTU	
Current consumption	40-65A (12V)	20-35A (24V)
Power	650W (12V)	850W (24V)
Airflow	600m ³ /hr	
Compressor	DC Scroll Compressor	
Refrigerant/Volume	R134a/600g	
AC Weight	28KG	
Dimensions (L*W*H)	970*840*160mm	
Vehicle Applications	Trucks	



HENAN KINGCLIMA INDUSTRY CO.,LTD

ADD: Add: No.107, Pilot Free Trade Zone(Jinshui)Zhengzhou City, China
TEL: +86-371-66379266 +86-371-66115121 <http://www.climaac.com/>

Detail of EA-28R Truck Parking Cooler







HENAN KINGCLIMA INDUSTRY CO.,LTD

ADD: Add: No.107, Pilot Free Trade Zone(Jinshui)Zhengzhou City, China
TEL: +86-371-66379266 +86-371-66115121 <http://www.climaac.com/>

