

Electric Air Conditioner

Rooftop Mounted Air Conditioner IceCool 30

Rooftop mounted electric air conditioner IceCool 30 adopts a top-mounted integrated layout scheme, a streamlined appearance, light design. The new design allows this air conditioner to achieve a greater cooling capacity. In terms of electronic control, multiple protections are set up to identify faults independently, which can make it more safer during the use.



Features:

- ❖ **Powerful Cooling Effect:** Utilizes high-efficiency cooling technology to quickly lower the interior temperature, keeping you comfortable in the sweltering heat.
- ❖ **Multifunctional Design:** In addition to cooling, it also features ventilation and ECO functions, creating a comfortable in-car environment.
- ❖ **Easy Operation:** One-button switch and simple temperature adjustment allow you to easily control the interior temperature.
- ❖ **Safe and Reliable:** Rigorous quality testing ensures product safety and reliability, giving you peace of mind.
- ❖ **Aesthetically Pleasing Design:** Compact and lightweight, with a durable ABS shell, combining aesthetics and practicality.

Air Conditioner Solutions For Commercial Vehicles

HENAN KINGCLIMA INDUSTRY CO.,LTD

Add: No.107, Pilot Free Trade Zone(Jinshui), Zhengzhou, Henan, China

Electric Air Conditioner

AC Data:

Model	IceCool 30
Voltage	DC12V/ DC 24V
Rated Current	DC 12V 60-70A; DC 24V 35-40A
Power	DC 12V: 850W; DC 24V: 650W
Air Volume	600m ³ /h
Cooling capacity	2600/8840BTU
Time of endurance(Battery over 200Ah)	6-8 hours
Compressor mode	Scroll Compressor
Refrigerant	R134a---500g ± 50g
Minimum Cut size	460x 335mm
Dimensions(mm)	820.8*832*145.8mm
Gross Weight	32kgs



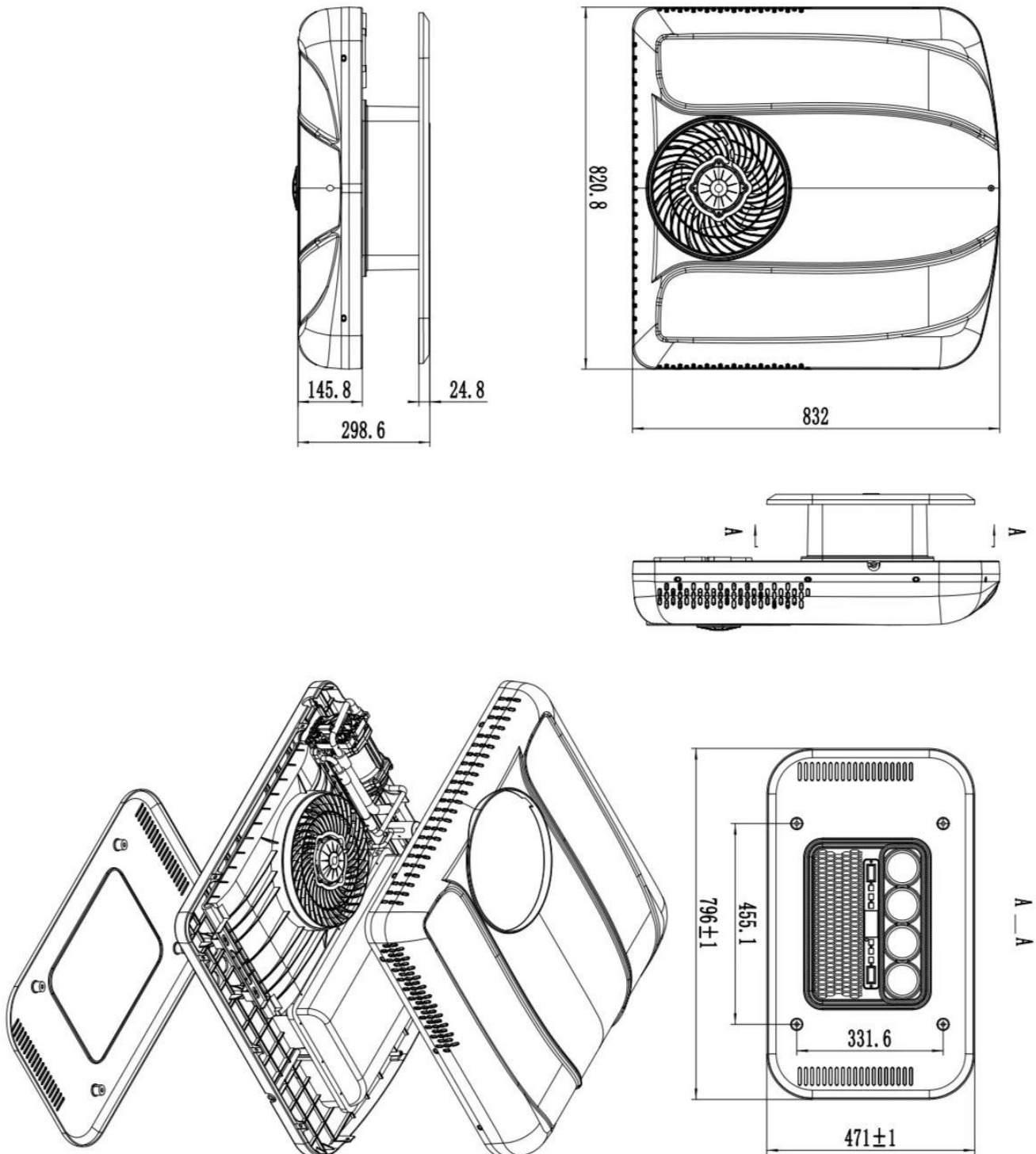
Air Conditioner Solutions For Commercial Vehicles

HENAN KINGCLIMA INDUSTRY CO.,LTD

Add: No.107, Pilot Free Trade Zone(Jinshui), Zhengzhou, Henan, China

Electric Air Conditioner

AC Drawings:



Air Conditioner Solutions For Commercial Vehicles

HENAN KINGCLIMA INDUSTRY CO.,LTD

Add: No.107, Pilot Free Trade Zone(Jinshui), Zhengzhou, Henan, China