

DC POWERED AIR CONDITIONER FOR CAB, CONSTRUCTION MACHINERY ETC

E-Clima 2200



Control Panel



Compressor



Features

- ◆ Adjustable cooling capacity;
- ◆ Use environmentally friendly R134a refrigerant;
- ◆ Remote control, combined with manual;
- ◆ Optional electric heating function; adjustable heating power;
- ◆ One-piece unit; rooftop mounted or back wall mounted;
- ◆ Heat pump , high efficiency and light weight;
- ◆ Compressor: driven by brush-less DC motor, with adjustable rotate speed;
- ◆ Brush-less evaporator blower and condenser fan, long lifetime, lower power consumption;
- ◆ Special for Ford, Renault, IVECO etc vans; RV, tractor, construction machinery and truck cabs etc.

Technical Data

Model		E-Clima 2200
Voltage		12 V/24V
Cooling capacity		2200W/ 7600BTU
Power		600W - 860W
Compressor	Model	Rotary Compressor
	Displacement	18cc/r
	Rotate Speed	1500 - 4500rpm
Evaporator blower air vol.		650m3/h
Condenser fan air vol.		1050m3/h
Refrigerant/Volume		R134a/330g
Dimensions		700*580*263mm
Cut off Size		32kg
Weight		32kg
Vehicle Applications		All trucks, construction machinery , tractor etc.

* Specification are subject to change without priority notice.

* For specific model performance data, capacities, and other technical information, contact KINGCLIMA service man or

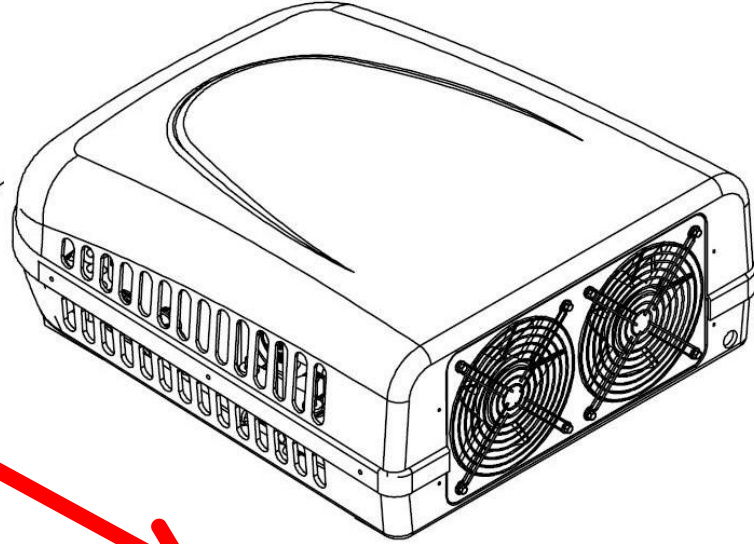
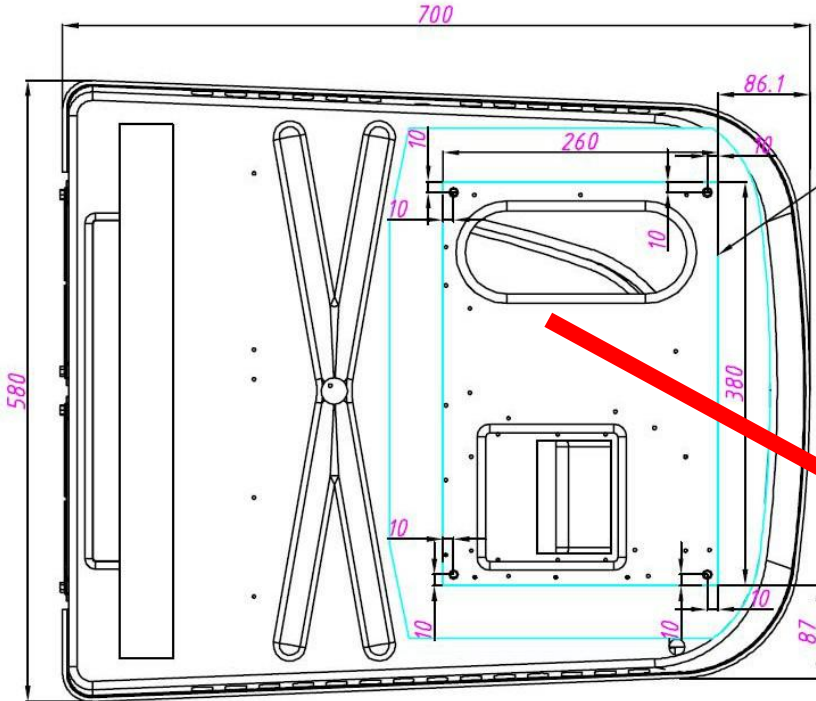
* Your local factory representative.



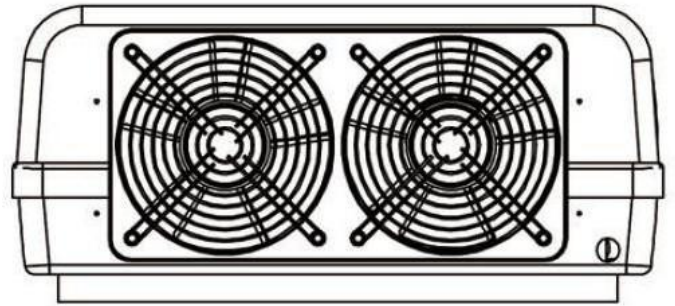
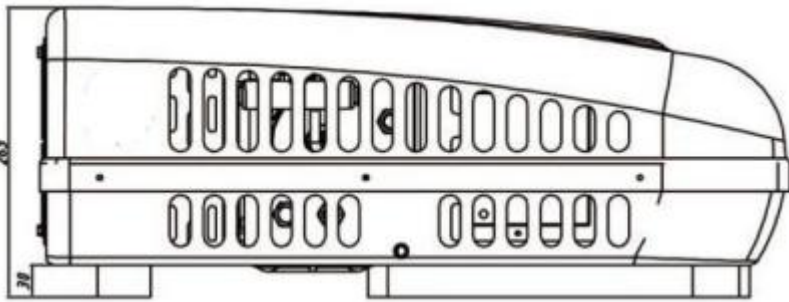
HENAN KINGCLIMA INDUSTRY CO.,LTD

ADD:A2301 SHENGHUI CENTRE,16 NONGYE RD(450000), Zhengzhou,China
TEL: +86-371-66379266 +86-371-66115121 <http://www.kingclima.com>

Outlook Sketch



Roof Cut-off Size
380*260mm



HENAN KINGCLIMA INDUSTRY CO.,LTD

ADD:A2301 SHENGHUI CENTRE,16 NONGYE RD(450000), Zhengzhou,China

TEL: +86-371-66379266 +86-371-66115121 <http://www.kingclima.com>

Info@kingclima.com

