

DC POWERED 12/24V AIR CONDITIONER FOR ALL TRUCK CABINS,RV

E-Clima 6000S



Features

- ◆ Use environmentally friendly R134a refrigerant;
- ◆ Electric battery driver with 10 KW cooling capacity
- ◆ Special for 6 m minibus or van
- ◆ Rooftop condenser installation, built-in evaporator

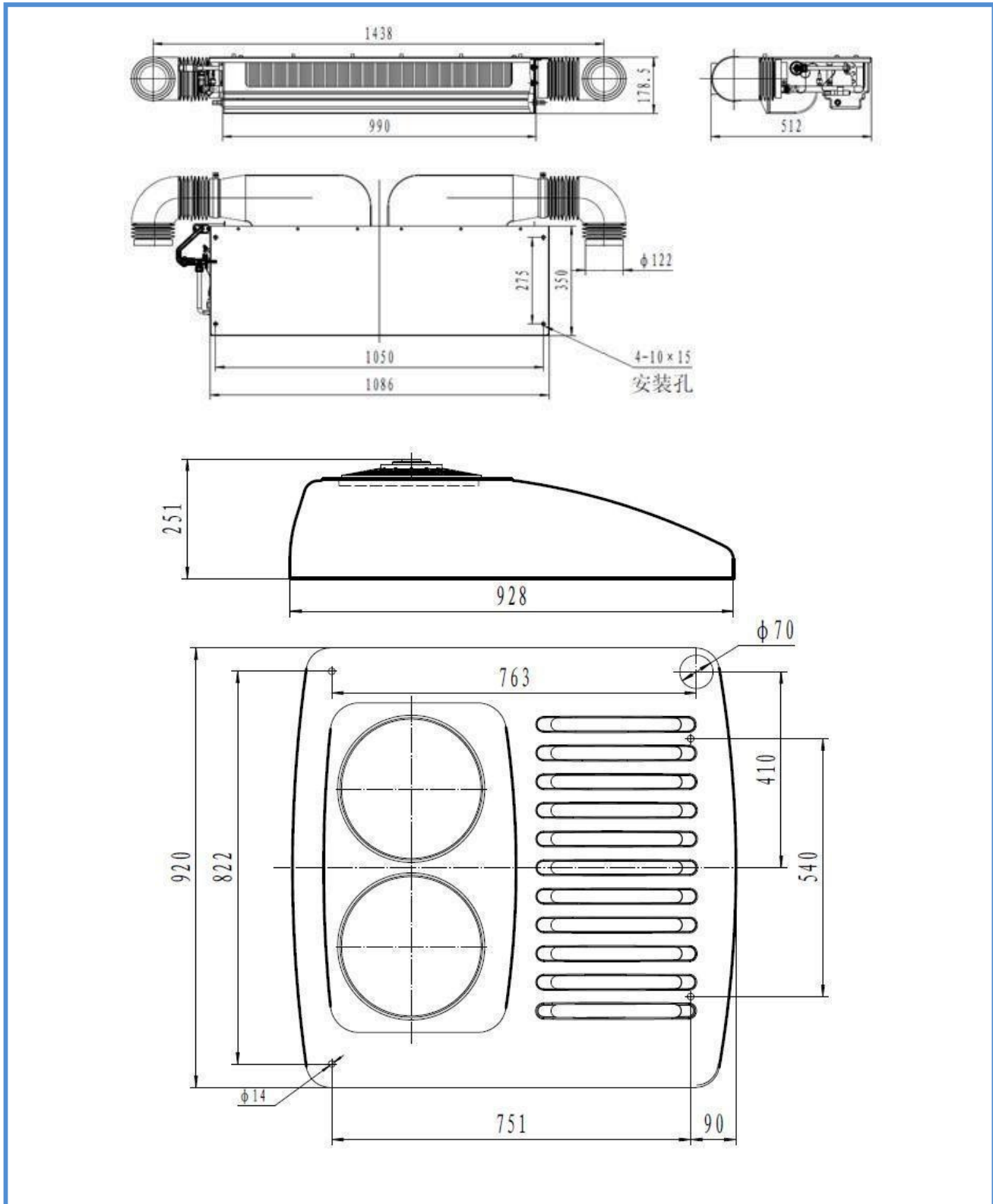
Technical Data

Model		Eclima-6000S
Max. Cooling Capacity		6000W
Consumed Power		1500W
Driven Mode		Battery Driven Unit
Installing Type		Rooftop-Split Mounted
Compressor Voltage		DC12V/24V/48V/72V/110V、144V、264V、288V、336V、360V、380V、540V
Total Current Rating		≤ 125A (DC12V) ≤ 63A(DC24V)
Evaporator Blower Air Volume		650m3/h
Condenser Fan Air Volume		1700m3/h
Compressor		18ml/r
Dimensions (mm)	Evaporator	1580*385*180 (with air ducting)
	Condenser	920*928*250
Refrigerant		R134a, 2.0~2.2Kg
Weight (KG)	Evaporator	18
	Condenser	47
In-vehicle temperature range		15℃ ~ +35℃
Safety assurance device		High and low voltage switch safety protection
Temperature adjustment		Electronic digital display
Application		Minibus/van less 6 meter

* Specification are subject to change without priority notice.

* For specific model performance data, capacities, and other technical information, contact KINGCLIMA service man or * Your local factory representative.

Outlook Sketch





HENAN KINGCLIMA INDUSTRY CO.,LTD

ADD:NO. 107,PILOT FREE TRADE ZONE(JINSHUI),ZHENGZHOU,HENAN,CHINA
TEL: +86-371-66379266 +86-371-66379166 <http://www.kingclima.com>



HENAN KINGCLIMA INDUSTRY CO.,LTD

ADD:NO. 107,PILOT FREE TRADE ZONE(JINSHUI),ZHENGZHOU,HENAN,CHINA

TEL: +86-371-66379266 +86-15137118132 <http://www.kingclima.com>

Info@kingclima.com